

WINTER 2016

# Invention

THE MAGAZINE OF THOMAS EDISON STATE UNIVERSITY



FROM COLLEGE TO UNIVERSITY | UNIVERSITY APPROVED FOR FIRST DOCTORAL PROGRAM | IN THE FLOW: COLLEEN LAYMAN BSAST '99

NURSING SCHOOL DEAN NAMED AACN - WHARTON FELLOW | EDUCATIONAL TECHNOLOGY GRANT FOR NURSING STUDENTS

43RD ANNUAL COMMENCEMENT | GRANDE BALL 2015 - ALL THAT JAZZ

# invention

## WHAT'S INSIDE

WINTER 2016



### 1 President's Message

#### University News

- 2 > Dr. Filomela Marshall named AACN-Wharton Leadership Fellow
- 2 > TD Charitable Foundation Awards a \$10,000 Grant to Help Teachers Become More Culturally Competent
- 3 > Watson Institute Hosts New Jersey Urban Mayors' Academy on Resilient Design and Mitigation
- 3 > University's First Doctoral Program Approved
- 4 > University Named a 2016 Top School for Military and Veterans
- 4 > Grant Provides Educational Technology for Nursing Students
- 5 > Dr. Pruitt Honored as Pioneer in Higher Education and Economic Development Policy by New Jersey Future

#### Foundation News

- 6 > Grande Ball 2015 – All That Jazz

#### Cover Story

- 8 > From College to University
- 12 > 43rd Annual Commencement

#### Alumni Profile

- 14 > In the Flow: Colleen Layman, BSAST '99
- 16 > Class Notes

*Invention* is published quarterly and is produced by the Office of Communications and the Office of Institutional Marketing at Thomas Edison State University.

**Dr. George A. Pruitt**  
PRESIDENT

**Joe Guzzardo**  
EDITOR

**Kristen Lacaillade**  
**Kelly Saccomanno**  
**Linda Soltis**  
CONTRIBUTING EDITORS

**Chris Miller**  
ART DIRECTOR





DEAR ALUMNI, STUDENTS AND FRIENDS,

Thomas Alva Edison said, "What you are will show in what you do."

Of the many quotes from our namesake, I thought this one was the most appropriate for this special issue of *Invention* that celebrates our institution, which is now Thomas Edison State University.

We were established in 1972 for one purpose: to serve the unique needs of adults. Immediately, we began our work helping adults complete a college degree without the need to attend formal classes on a campus. We invented new ways to deliver a collegiate education to adults that removed the barriers of time and location, including the assessment of prior learning, independent study and online courses.

Over the years, we have created a diverse array of graduate and professional school programs and expanded our reach by serving students all over the world, including active duty military service members. Along the way, we evolved into a large, comprehensive institution that serves a wide range of students and organizations.

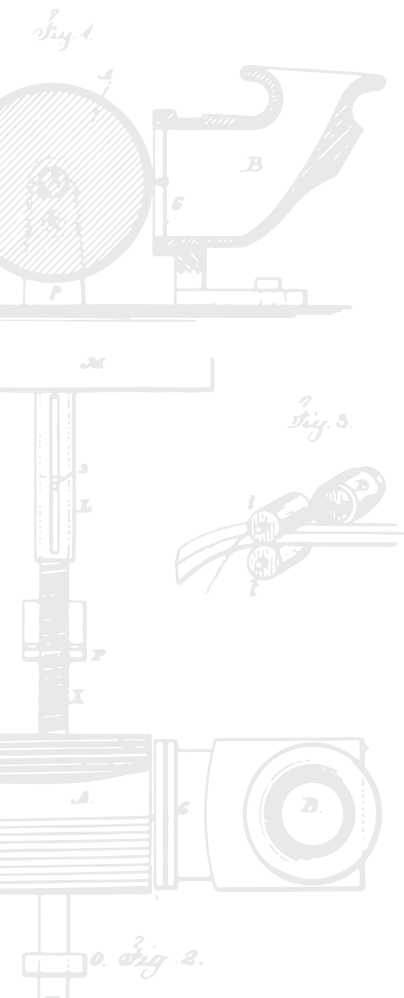
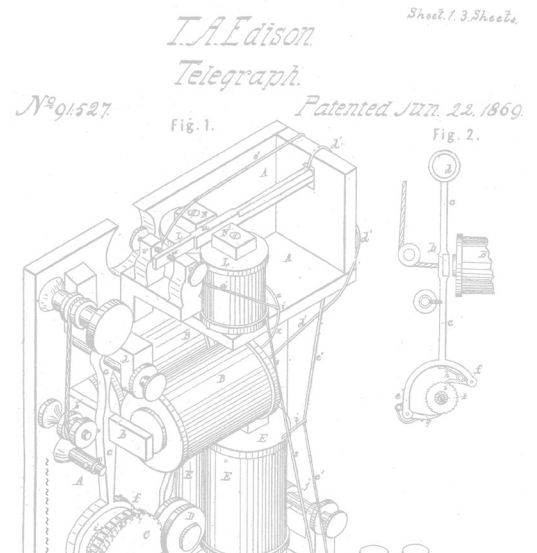
We transformed into a university. It is what we have become.

Today, serving adults still lies at the heart of our mission and everything we do.

I hope you enjoy this issue of *Invention*.

Sincerely,

Dr. George A. Pruitt  
President



## ❖ Dr. Filomela Marshall named AACN-Wharton Leadership Fellow

Dr. Filomela Marshall, dean of the W. Cary Edwards School of Nursing at Thomas Edison State University, was recently named to the fourth class of the American Association of Colleges of Nursing's (AACN) Wharton Executive Leadership Program.

academic leaders to participate as part of this year's cohort. Those participants selected represented a wide variety of diverse nursing programs from across the nation, including large academic health centers, small liberal arts schools, public and private universities,



Dr. Filomela Marshall, dean, W. Cary Edwards School of Nursing

**"THE AACN DOES A TREMENDOUS JOB EDUCATING AND HELPING TO STRENGTHEN THE CORE SKILLS NEEDED TO SUCCEED AS AN ACADEMIC NURSING ADMINISTRATOR."**

Dr. Filomela Marshall

The program is offered in collaboration with the Wharton School of the University of Pennsylvania and is a world-class leadership development experience that has graduated 127 Fellows from 41 states and the District of Columbia.

After a rigorous application and admission process, Marshall was selected as one of 40 nursing deans and

rural and urban-based programs as well as faith-based institutions.

"It was an honor to have been chosen to participate as part of this year's cohort for the Wharton Leadership Fellow program," said Marshall.

"The AACN does a tremendous job educating and helping to strengthen the core skills needed to succeed as an academic nursing administrator. Their

commitment to the future of nursing education is paramount."

The Wharton program is designed to enhance participants' leadership capabilities and refine strategic skills to promote growth and success in the academic enterprise. The content they are exposed to addresses managing and leading change, influencing diverse stakeholders and building relationships in unpredictable environments.

## ❖ TD Charitable Foundation Awards a \$10,000 Grant to Help Teachers Become More Culturally Competent

TD Charitable Foundation, the charitable giving arm of TD Bank, America's Most Convenient Bank®, has awarded a \$10,000 grant to support a mentoring program based in The John S. Watson Institute for Public Policy of Thomas Edison State University that helps early childhood teachers become more culturally aware of students from diverse backgrounds.

The N.J. Cultural Competency and English Language Learners (ELL) Summer Institute and Mentoring Program, launched in 2007, is coordinated by The Watson Institute's Center for the Positive Development of Urban Children. The program trains and mentors early childhood educators from across New Jersey, helping them to create environments that affirm and celebrate the diverse cultural heritage of their students.

"We are immensely grateful to TD Charitable Foundation for their

support," said Ana I. Berdecia, center director. "The funding continues to be a cornerstone in our ability to mentor teachers who work with the state's diverse population of children by giving them the tools to become more culturally and linguistically responsive educators." Funding from the TD Charitable Foundation has supported the mentor-based portion of the program since 2008.

Since it began, ELL has trained and mentored 228 early childhood educators working in 101 classrooms throughout



New Jersey, enabling them to create environments that affirm the cultural diversity of their students. This year's program focuses on early childhood centers in Essex, Passaic and adjacent counties.

The program includes a three-day intensive summer institute for teachers, followed by nine months of mentoring. Teachers participate in quarterly teleconferences to continue their training and receive a Cultural Tool Box containing \$800 in learning resources for their classrooms.

## Watson Institute Hosts New Jersey Urban Mayors' Academy on Resilient Design and Mitigation

The John S. Watson Institute for Public Policy at Thomas Edison State University in collaboration with the Regional Plan Association (RPA) and the New Jersey Institute of Technology's (NJIT) Center for Resilient Design cosponsored a two-day academy that helped New Jersey mayors and municipal leaders address challenges faced by natural disasters and climate change.

The event brought together New Jersey Urban Mayors Association (NJUMA) members and designers to collaborate on community design, sustainability and planning solutions for New Jersey and provided NJUMA leaders with a toolkit to help them with climate change and disaster recovery initiatives. The Academy was specifically designed for NJUMA members to make climate-vulnerable urban communities safer, healthier and more livable.

The mayors were given a rare opportunity to discuss concerns in-depth with their peers and with a group of technicians, designers and planners from New Jersey and across the region. The Academy helped NJUMA members solve problems in their communities related to climate change, educate local officials about state-of-the-art design

theory and techniques, and create a network of mayors with strong design knowledge who can support each other as they implement the proposed plans.

"It is crucial to be able to come together as a community and collaborate on important issues facing our communities, particularly when it pertains to severe weather-related incidents," said Barbara George Johnson, executive director, The John S. Watson Institute for Public Policy

at the University. "Academies such as these that partner our local and state leaders with design professionals allows for the opportunity to discuss important questions and take into account that natural disasters can strike at any time and that our preparation for such is vital."

To learn more about the work of The John S. Watson Institute for Public Policy, visit: [www.tesu.edu/watsoninstitute](http://www.tesu.edu/watsoninstitute).



Pictured at the event (from left to right) are Dr. Joseph Youngblood II, vice provost and dean, John S. Watson School of Public Service and Continuing Studies at Thomas Edison State University; Dwayne D. Warren, mayor of Orange Township; Eric E. Jackson, mayor of Trenton; Barbara George Johnson, executive director, The John S. Watson Institute for Public Policy at Thomas Edison State University; Wilda Diaz, mayor of Perth Amboy; Albert Kelly, mayor of Bridgeton; and Ruben Bermudez, mayor of Vineland.

## University's First Doctoral Program Approved

Thomas Edison State University's first doctoral program, an online Doctor of Nursing Practice (DNP), has been approved by the New Jersey Secretary of Higher Education.

Classes for the first cohort are scheduled to begin in October. The degree is a post-master's doctorate with a specialty area in Systems-Level Leadership designed to prepare nurse leaders with competencies in advanced nursing practice, organizational leadership, economics and finance, healthcare policy and technology.

The 36-credit program is intended to be completed in 18 months. Graduates

of the University's Master of Science in Nursing (MSN) program may be able to apply up to 6 credits toward the DNP. It is also ideal for graduates of other MSN programs who are interested in pursuing an online doctoral degree at the University.

"We are thrilled to introduce the DNP as the first doctoral program to be offered at the University," said Dr. Filomela Marshall, dean of the W. Cary Edwards School of Nursing. "This program will set high standards of excellence in nursing education as well as help to improve our healthcare community by advancing the knowledge obtained by our nurse leaders."

The need for DNP programs is driven by the changing demands of the nation's complex healthcare environment, which requires nurses to possess increased levels of evidence-based knowledge and practice expertise to ensure safety and quality outcomes. The School plans to admit up to 10 applicants in its initial cohort in order to remain focused on intensive, doctoral-level education and assure that students meet the program's rigorous requirements.

To apply or learn more, visit [www.tesu.edu/dnp](http://www.tesu.edu/dnp).

## University Named a 2016 Top School for Military and Veterans

Thomas Edison State College, now known as Thomas Edison State University, has been recognized for another year as being one of the top educational institutions in the country that serve U.S. military members and veterans by *Military Advanced Education & Transition* magazine.



Officers and Transition Officers. The guide provides information about how colleges and universities serve active duty military, veterans and their spouses and dependents through support services, flexibility, financial assistance and military culture.

**“IT IS OUR HONOR AND PRIVILEGE TO SERVE AND PROVIDE PROGRAMS FOR THE BRAVE MEN AND WOMEN WHO HAVE SERVED OUR COUNTRY.”**

Louis Martini, associate vice president for Military and Veteran Education

“We are proud to have been chosen as a Top School for Military and Veterans once again,” said Louis Martini, associate vice president for Military and Veteran Education at the University. “It is our honor and privilege to serve and provide programs for the brave men and women who have served our country.”

The publication uses rigorous and strict criteria to evaluate all institutions that respond to its extensive survey. The magazine then publishes their

“*Guide to Military-Friendly Colleges and Universities*,” which serves as a comprehensive research tool for service members, veterans, Education Service

To learn more about our programs for service members and veterans, visit [military.tesu.edu](http://military.tesu.edu).

## Grant Provides Educational Technology for Nursing Students

The Investors Bank Foundation in partnership with Roma Bank Community Foundation, which supports nonprofit organizations that enrich the diverse communities served by Investors Bank, awarded a \$37,500 grant in July to the Thomas Edison State College Foundation, in support of the W. Cary Edwards School of Nursing.

The funding is part of a multiyear installment that supports the ongoing expansion of the School’s innovative online Virtual Clinical Simulation (VCS) program and its on-ground Nursing Simulation Lab.

“The VCS program has given our online nursing students access to sophisticated digital representations of patients, integrated with advanced technology and software,” explained Dr. Filomela Marshall, dean of the W. Cary Edwards School of Nursing at the University. “The funding also supports our on-ground Nursing Simulation Lab, which is the technological centerpiece of the Accelerated 2nd Degree BSN Program.”

According to Marshall, both technologies are invaluable in supplementing students’ clinical nursing experience, enabling them to

develop optimal critical-thinking and decision-making skills in replicated environments at no risk to real patients.



(From left to right) Dr. Filomela Marshall, dean, W. Cary Edwards School of Nursing; John Thurber, vice president for Public Affairs at Thomas Edison State University; Linda Martin, senior market manager for Investors Bank, and Amy Rouze, AVP/branch manager of Investors Bank.

## ❖ Dr. Pruitt Honored as Pioneer in Higher Education and Economic Development Policy by New Jersey Future

Dr. George A. Pruitt, president of Thomas Edison State University, was recently honored by New Jersey Future for his active investment in the city of Trenton at an event held in his honor at The Trenton City Museum at Ellarslie, Cadwalader Park.

Since he began his presidency at the University in 1982, Pruitt has led the University's efforts in restoring several historic buildings in the downtown area. He has committed himself to conserving the city's past and contributing to the stimulation of local and statewide economic development.

Pruitt has been instrumental in the redevelopment and preservation of the University's Kelsey Building, one of the architectural landmarks of Trenton; the

"I heard a colleague of mine, Jim Votruba, who was then president of Northern Kentucky University, deliver a speech titled, 'Stewards of Place.'

At the event, former New Jersey Gov. Thomas Kean commended Pruitt for his innovation, knowledge and leadership skills in working collaboratively to

**"THERE WAS GOING TO BE AT LEAST ONE INSTITUTION DOWNTOWN THAT UNDERSTOOD AND VALUED THE TREASURES THERE AND WE WERE GOING TO PRESERVE THEM FOR FUTURE GENERATIONS."**

Dr. George A. Pruitt, president of Thomas Edison State University

He talked about higher education's obligation to be stewards of the community in which it resided, not just use it as an accident of geography," said Pruitt. "Thomas Edison used to be spread all over the state, we had sites

develop New Jersey's higher education landscape.

"George Pruitt is somebody I've watched when working with for such a long, long time and always for good things. For the right things," Kean began. "He's a man of passion, man of conviction, insisting that adults have a right to pursue higher education and insisting that they must be able to choose a variety of programs and platforms. He was cutting edge, not just in New Jersey but in the country, in so many ways."

Kean praised Pruitt and told him how important he is to New Jersey and the country.

"You stand for so much good. You're still innovating, you're still working hard and you still give the rest of us inspiration. I think of the words of one of my favorite poets, a Chilean poet, Pablo Neruda, George we come tonight to 'pound on your heart with love,'" said Kean.



Dr. George A. Pruitt, president of Thomas Edison State University, pictured with (from left) Peter Kasabach, executive director, New Jersey Future; Former New Jersey Governor Tom Kean; and Ingrid Reed, New Jersey Future founding trustee.

townhouse complex located adjacent to New Jersey's State House complex; the Center for Learning and Technology; and Kuser Mansion, all on West State Street as well as the Academic Center and Canal Banks buildings located on West Hanover Street. Most recently, Pruitt has been involved with the planning and current construction of the University's Nursing Education Center located at the corner of West State and Calhoun streets.

in Newark, Camden, on the shore; we were all over the place. We decided to consolidate all of our offices in Trenton so that we could build a campus in our capital city and try to create a critical mass to be a conservator of historic properties, so that we could stabilize the capital city district. At the same time, there was going to be at least one institution downtown that understood and valued the treasures there and we were going to preserve them for future generations."



# NEW ORLEANS GRANDE BALL 2015 *All that Jazz*

## Thomas Edison State College Foundation Honors Choose NJ's Michele Brown and corporate consultant Brian T. Maloney



The Thomas Edison State College Foundation, which is now known as the Thomas Edison State University Foundation, held its 24th Annual Grande Ball on Oct. 24 at the Greenacres Country Club in Lawrenceville, N.J. With more than 220 tickets sold, the formal affair raised nearly \$128,000 for the institution, one of the most successful years in the history of the event. The Foundation also honored two prominent individuals for their accomplishments and support of the College.

This year's honorees included:

> **Michele Brown**, president and chief executive officer of Choose New Jersey, Inc., who received the 2015 Community Leader Award

> **Brian T. Maloney**, corporate consultant and Foundation board chair (2008-2014), who received the 2015 Family Award

Dr. George A. Pruitt, president of Thomas Edison State University, said this year's honorees exemplify the

commitment to innovation, concern for the public good and spirit associated with the mission of Thomas Edison State University and the inventor for whom the institution is named.

"We are proud of the accomplishments of both Michele and Brian, each of whom has made great strides in the community through their service and leadership," said Pruitt. "We are grateful for their support and advocacy on behalf of our school."

### SPONSORS OF THE 2015 GRANDE BALL

NJM Insurance Group (Leadership Sponsor); Investors Bank, LiUNA!, PNC and Wells Fargo (Silver Sponsors); Bunker Hill Consultation Center (Bronze Sponsor); Capital Health, Our Lady of Lourdes Medical Center and St. Francis Medical Center (Edison Sponsors); and New Jersey Resources, Princeton Regional Chamber of Commerce and Rowan College at Burlington County (Invention Sponsors).







2015

COMMUNITY LEADER AWARD

### **Michele Brown**

*President and Chief Executive Officer,  
Choose New Jersey, Inc.*

Michele Brown is president and chief executive officer of Choose New Jersey, Inc., an independently funded and operated nonprofit organization charged with encouraging economic growth throughout the state of New Jersey with a focus on making the state's most distressed cities engines for growth and opportunity.

Choose New Jersey leads global promotion, business attraction and lead generation efforts designed to attract investment and jobs to the Garden State. It is one of four elements of the New Jersey Partnership for Action (PFA), which also includes the New Jersey Business Action Center, the New Jersey Economic Development Authority and the Office of the Secretary of Higher Education. Under the leadership of Lt. Gov. Kim Guadagno, the PFA serves as the starting point for all initiatives, policies and efforts related to growing New Jersey's economy and creating quality, sustainable jobs.

Brown came to Choose New Jersey after serving for more than two years as chief executive officer of the New Jersey Economic Development Authority (EDA), an independent state agency responsible for providing financing to small and mid-sized businesses, administering tax incentives to retain and grow jobs and revitalizing communities through redevelopment initiatives.

Prior to that, Brown served as appointments counsel to Gov. Chris Christie, where she provided strategic and legal guidance to the governor. Brown has an extensive background practicing law, serving 18 years at the United States Attorney's Office in New Jersey.

A native of Trenton, N.J., Brown received her JD, *magna cum laude*, from Georgetown University Law Center and her BA, *magna cum laude*, from Drew University.



2015

FAMILY AWARD

### **Brian T. Maloney**

*Corporate Consultant,  
Foundation Board Chair (2008-2014)*

Brian Maloney is currently operating a consulting business focusing on business growth including M&A, strategic uses of technology, outsourcing and business operations. Major clients include a "smart grid" service provider, a multinational telecommunications provider and an India-based global IT services and engineering firm. He also serves as the non-executive chairman of Tech Mahindra Americas, Inc.

Previously, Maloney served as an executive officer of four firms. He was most recently the CEO of Ygomi LLC, a global private equity firm focused on building and operating software development and services companies in multiple industries around the world. Maloney was a member of the board of directors of the holding company and each of the five major portfolio companies. He also served as chairman of two portfolio companies.

For 24 years, Maloney held a variety of positions with AT&T and its subsidiaries. He rose through the organization and ultimately became the president and CEO of AT&T Solutions and a senior vice president of AT&T itself. AT&T Solutions was a \$5.5 billion professional services, systems integration and network outsourcing firm. Maloney was one of the founding members of this company and went on to lead it and serve on its board of directors.

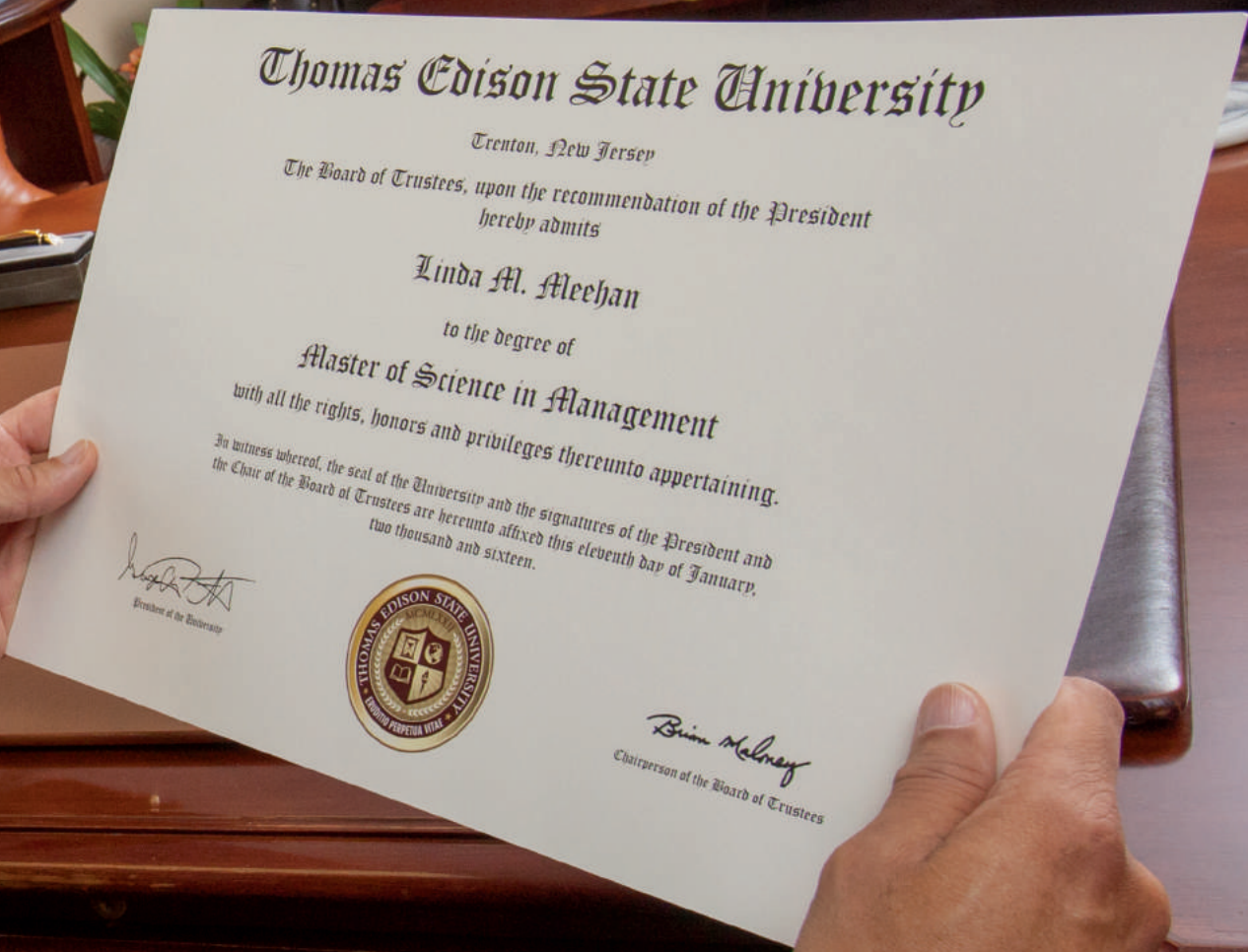
Maloney served on the board of Globecom Systems Inc. (NASDAQ:GCOM) for 12 years until the recent sale of the firm. He currently serves as a director of Send Word Now Inc. and The Boys Scouts of America - GNYC, and is a member of the advisory board of Optier Inc. In addition, he is a trustee of Thomas Edison State University, vice chairman of the Board and chairman of the Audit Committee. Maloney just completed a six year term as chairman of the Thomas Edison State University Foundation.

Maloney and his wife, Helen, reside in Flemington, N.J.



from  
College

# U<sup>to</sup>. University



*43 Years in the Making:  
Thomas Edison State College  
becomes Thomas Edison State University.*

# from College to University

In December, New Jersey Secretary of Higher Education Rochelle Hendricks granted university status to Thomas Edison State College.

At its December board meeting, the College's Board of Trustees approved a resolution authorizing the institution to change its name to Thomas Edison State University.

Also in December, the Thomas Edison State College Foundation Board of Directors voted to change the organization's name to the Thomas Edison State University Foundation.

The change became official on Dec. 21. The action comes approximately one year after the school began the process to secure state approval for gaining university status.

"We have evolved into a large, comprehensive institution with diverse academic offerings that serve a wide range of students and organizations - here in New Jersey, throughout the country and around the world," said Dr. George A. Pruitt, president.

New state regulations governing higher education in New Jersey, which took effect Dec. 21, and a unanimous decision in November by the New Jersey Presidents' Council recommending the name change, helped pave the way for the College to gain university status.

"For us, being known as a university is important because it more accurately articulates the type of institution we have become," said Pruitt. "It also better reflects the success we have had expanding our graduate programs and our plans to develop new programs at the doctoral level."

To commemorate the change from college to university, the institution plans to erect a stone archway over the main entrance of the Kelsey/Townhouse complex that will feature "Thomas Edison State University" and enhance the presence of the institution on West State Street.

**"FOR US, BEING KNOWN AS A UNIVERSITY IS IMPORTANT BECAUSE IT MORE ACCURATELY ARTICULATES THE TYPE OF INSTITUTION WE HAVE BECOME."**

Dr. George A. Pruitt

It is a long way from July 1972, when the school was established as Edison College. The first class included 70 graduates who earned Associate in Arts degrees.

"We really invented what has come to be known as the portfolio process as a way of examining prior learning and determining if it is equivalent to what is learned in a college course," said William J. Seaton, provost and vice president. "Once we opened that window, it became a game changer."

Seaton has played a pivotal role in the institution's academic evolution since his arrival in 1981. He led the development of the school's first courses, which were introduced as independent study classes in 1982. Seaton also worked with New Jersey Network, New Jersey's Public Broadcasting System (PBS) affiliate, to use video from PBS programming as course materials.

In 1986, Seaton led the pioneering effort to create the institution's first online courses, which were launched in 1987.



Dr. George A. Pruitt, president, reveals the new University diploma to William Seaton, vice president and provost.

“We were the first in the country to offer an entire degree program online and really are pioneers in developing and delivering online courses,” recalled Seaton. “Leveraging technology and refining how students interact with each other and their mentors has become a hallmark of our work.”

Today, the University continues to break new ground enabling students to access courses using a variety of devices and platforms, regardless of their location.

In 2004, the institution implemented a major restructuring of its academic division and established schools, which now oversee the academic enterprise.

“We have grown our graduate programs significantly over the past decade – and from my perspective, that is one of the main things that distinguish a college from a university,” said Seaton.

The change to Thomas Edison State University marks only the third time in the institution’s history that it has changed its official name. The first came in 1973, when College changed its name to Thomas A. Edison College. The second came in 1980, when it became known as Thomas A. Edison State College – the official name it has kept until now.



Photo courtesy of Clarke Canton Hintz.

Rendering of the new Thomas Edison State University arch to be erected at the main entrance of the Kelsey/Townhouse complex.

Today, the University serves more than 18,600 students from all 50 states and internationally who are enrolled in undergraduate and graduate degree programs in more than 100 areas of study. The University is home to one of New Jersey’s largest nursing schools and remains one of the country’s largest providers of academic programs to the U.S. military and the nuclear industry.

“When I started here, we had a little more than 2,000 students,” said Seaton. “To think about where we are today and how we have expanded in such a short amount of time, it has been a miraculous transformation.”



## UNIVERSITY UNVEILS NEW SEAL

Thomas Edison State University has developed a new seal that reflects the uniqueness of the institution. The new seal was designed by Christopher J. Miller, art director at Thomas Edison State University, and replaces the former seal, which was based largely on the Great Seal of the State of New Jersey. The new seal was adopted by the Board of Trustees in December.

The seal’s inner ring features “Thomas Edison State University” and the Latin words, “Eruditio, Perpetua, Vitae.”

- > **Eruditio** means learning or instruction
- > **Perpetua** means perpetual or uninterrupted
- > **Vitae** means life or career

The Latin phrase embodies the idea of lifelong learning.

The seal’s inner circle features the Roman numerals for 1972, signifying the year the institution was established. The numerals are located above a shield emblazoned with four icons.

- > The **hourglass** represents the removal of time as a barrier and the institution’s commitment to creating programs that work around the schedules of its students.
- > The **globe** represents the removal of location as a barrier, the global reach of the institution and its expertise delivering programs wherever a student lives or works.
- > The **book** represents academic integrity and the pursuit of knowledge.
- > The **torch** represents how graduates serve as a guiding light for others interested in achieving their educational goals.

The shield is encircled by laurel, which symbolizes that students and graduates are part of the institution’s distinguished tradition.

## Thomas Edison State College Celebrates 43rd Annual Commencement

Thomas Edison State College celebrated its 43rd annual Commencement on Saturday, Sept. 26, at Sun National Bank Center, where more than 560 graduates from 27 states as well as Canada and the Virgin Islands traveled to Trenton, N.J., to participate in the ceremony.

Rodolfo Rodriguez '15, of Louisville, Ky., gave the response for graduates, reflecting on his own journey to completing his degree, with the help of his employer UPS' tuition reimbursement program and Corporate Choice® partnership with the College.

Rodriguez, who spent more than 40 years in pursuit of his degree, reflected on his long journey that included building a family, a career, and attending a number of institutions before completing his education at the College.

"Every time I got started with schooling, something seemed to deter me and challenge my commitment to finishing my degree. It's not that I didn't try. I attended colleges in New York; Los Angeles; Louisville; and finally Thomas Edison State College. I even tried to progress more quickly by taking a CLEP® exam while attending Thomas Edison," he said. "I travel extensively throughout my career, which has challenged me in completing my degree. However, through all the anxieties, challenges, fears, obstacles, shortcomings and struggles, and with a whole lot of determination and perseverance, in 2015, I finally achieved a lifelong dream of attaining my degree," Rodriguez said.

On behalf of graduates, Rodriguez extended his congratulations to his peers, wishing them well on their continued journeys. He left those in attendance with a quote from one of the founders of UPS, Jim Casey, to help remind them of the value of determination.

"As one of the founders of UPS, Jim Casey, stated on various occasions, 'determined people can do anything.' Today is a very special day and cause for celebration and storytelling because your story does not end today. It should continue as you use it to inspire those around you."

He is a 2015 recipient of a Bachelor of Science in Business Administration degree. Rodriguez earned a 3.025 grade point average while completing his BSBA in general management.

The College also awarded two honorary degrees at the event, including one to Edison Venture Fund founder and general partner, John H. Martinson, and the other, posthumously, to cardiac surgeon Dr. Levi Watkins Jr.

Martinson, who founded the Edison Venture Fund in 1986 and built it into one of the leading private equity and venture capital firms in the region, continues to shape Edison Venture's



Rodriguez, who was born and raised in New York City, moved to Los Angeles, Calif., in 1973. He started his UPS career in Los Angeles in 1974, and then relocated to Kentucky in 1987. Over the past 41 years, Rodriguez held a variety of positions at UPS. A bilingual speaker who is fluent in Spanish and English, Rodriguez is currently the Materials Stores manager for UPS Airlines with responsibility for the Americas Region, which includes the Caribbean, Central America, Mexico and South America. The institution is the largest provider of collegiate programs for UPS in the United States.



John H. Martinson, Edison Venture Fund founder and general partner, told graduates to create their own paths and use their imagination to inspire others.



# Commencement 2015



overall investment strategy. He also founded the Martinson Family Foundation, both of which foster innovations in technology across a wide range of fields. He is an active individual investor and philanthropist.

“Thomas Edison graduates are well-prepared to advance their work skills and career fields,” he said. “Like many of you, my hero and the College’s namesake, Thomas Alva Edison, was self-taught throughout his career. I urge you to create your own path as he did. Use your imagination to inspire. As a venture capitalist, I am inspired by enthusiasm and innovation of entrepreneurs. Your opportunities are limitless in America and this world.”

The College also awarded an honorary

degree to Dr. Levi Watkins Jr., a cardiac surgeon who, in 1980, became the first surgeon to implant an automatic defibrillator in a human heart. The defibrillator is a small, battery-powered device that detects arrhythmia in the heart and emits an electric shock to correct it. Since that operation, it has saved millions of lives.

Watkins was also a committed advocate for human rights and had a distinguished history with the civil rights movement. He attended the Dexter Avenue Baptist Church, where he met Dr. Martin Luther King, Jr. Inspired by King, he became involved in the civil rights movement and joined the King-supervised Crusaders youth group. Watkins passed away on April 11, 2015. His sister, Dr. A. Marie Garraway,

and cousin, Dr. Beverly Guy-Sheftall, accepted the honorary degree on his behalf.


This year marks the sixth year that Thomas Edison State College graduates wore gowns made from recycled plastic bottles and the fifth year where they had the opportunity to return the gowns to be recycled into other products.

The Class of 2015 includes more than 3,200 graduates. The College has awarded approximately 53,400 degrees to nearly 50,000 graduates since it began providing flexible, high-quality, collegiate learning opportunities for self-directed adults in 1972.

To watch a video of the 43rd Annual Commencement, visit [www.tesu.edu/commencement](http://www.tesu.edu/commencement).



# in the flow



*Colleen Layman has a vision for the future of engineering. She envisions that when someone refers to an engineer, a woman will be just as likely to come to mind as a man.*



## Colleen Layman, P.E., BSAST '99

Layman, vice president of Resources Business Group Water Principal with HDR Engineering Inc. in Omaha, Neb., explained that it is all about providing both young women and young men with paragons.

"It's important for young girls to have role models to look up to and say 'I want to do that when I grow up,'" she said. "Women engineers need to be visible. But we need to do that for young boys as well, so they can be socialized to see women as engineers and scientists; we need to change the image."

Layman is planning to do just that as the newly elected president for the Society of Women Engineers (SWE). Involved with SWE for more than 15 years, Layman has served in a number of leadership positions at local and regional levels.

One of the major themes Layman intends to implement during her tenure as SWE's president is related to networking and connections.

**"WOMEN ENGINEERS NEED TO BE VISIBLE. BUT WE NEED TO DO THAT FOR YOUNG BOYS AS WELL, SO THEY CAN BE SOCIALIZED TO SEE WOMEN AS ENGINEERS AND SCIENTISTS; WE NEED TO CHANGE THE IMAGE."**

Colleen Layman, P.E., BSAST '99

"I believe it is important to mentor our young male colleagues at the university level. The power industry is still a boys' club and we need to engage men as our diversity partners in order to make changes; they need to be part of the discussion." As president, Layman is charged with appointing a special director and, for the first time in SWE history, she has chosen a man for the position.

Mentoring is vital according to Layman. It was a mentor who encouraged her to take an internship at a power plant that sparked her initial interest in the power engineering industry.

"It was during my senior year that a high school math teacher and nun inspired me to pursue a career in that industry. She told me 'engineers are

people who change the world' and she encouraged me to study engineering. I came from a blue-collar town where most girls who went to college usually became a nurse or teacher. I am so thankful for her guidance; I wouldn't be here without her."

That guidance led to what is now a 20-year career in a field that she loves. Layman's expertise is in engineering design, construction and operation of power generating facilities. Her areas of specialty include water and wastewater treatment systems, desalination equipment, and steam and water chemistry.

Layman, who earned her Bachelor of Science in Applied Science and Technology degree in mechanical engineering technology from Thomas Edison State College, noted that the College was the only avenue for her to complete a degree in 1994. "Thomas Edison State College gave me the flexibility to find the courses I wanted to take. I traveled a lot and

the flexibility of taking online courses was something that was not readily available in the '90s, except at TESC," she said. "I still recommend the College to my colleagues, who also travel often, because TESC offers so many options that allow for degree completion while on the move."

Layman continued on to earn an MS in water resources and environmental engineering from Villanova University in Villanova, Pa.; and an MBA in management of engineering and technology from North Central University in Prescott Valley, Ariz. She holds Professional Engineers licensure in Ohio, Maryland and Wisconsin.



Photo courtesy of HDR

Pictured from left to right are Eric Keen, president of HDR, George Little, chairman and CEO of HDR, Colleen Layman, and Karen Horting, executive director and CEO of Society of Women Engineers.

In keeping with her commitment to encourage young women and men to see the value in engineering careers, Layman has served multiple years as a judge for the United States Environmental Protection Agency P3 Student Design Competition for Sustainability.

"I love to participate every year," Layman enthused. "P3 stands for people, prosperity and the planet. Students submit proposals for projects that focus on promoting sustainability at home, improving living conditions in the developing third world or providing disaster relief. During the second phase of the competition, written proposals are submitted for judging for grant funding to implement the project design in the field. These awards have resulted in sustainability projects around the globe, including places such as Honduras, India and Uganda as well as here at home in the U.S."

When she is not managing water for a living, it plays a major role in her downtime activities. Layman is a Certified Scuba Diver who has traveled to a number of exotic tropical locales including Borneo, the Caribbean and, her favorite dive site, Indonesia. She also takes great pleasure in working with a local dive shop to teach this underwater sport to others.

Layman, who is on the road approximately 75 percent of the time, currently calls Janesville, Wis., home.

# class notes

## Michael Brewster

BSBA '93

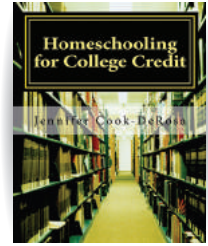
Michael Brewster was named one of *Irish America Magazine's* 'Wall Street 50,' a list that celebrates the Irish in the financial industry. Brewster is the sole manager of the Value & Growth and Strategic Dividend & Income Portfolios at Credit Suisse Private Banking USA. He began his career in ledger accounting at Bally's Casino Hotel, Atlantic City, N.J., and casino credit at Trump Castle Casino. Born in Ireland, he now resides in New York with his wife, Margaret.



## Jennifer Cook DeRosa

AA '08, BA '08

Jennifer Cook DeRosa transitioned in 2013 from a career as a college administrator and started helping parents navigate the homeschool-to-college process. Cook DeRosa released *Homeschooling for College Credit* in 2012, which was recognized by the Homeschool Legal Defense Association, as a "recommended resource" for parents. Since then, she has released her second book, *Completely FREE Colleges*.



## Robert Budsock

BSHS '07, MSM '15

Robert Budsock appeared on PIX11 television in New York City to discuss President Barack Obama's visit to the rehab facility Integrity House in Newark, N.J. Budsock serves as president and CEO of Integrity House, which is focused on helping convicts integrate themselves back into society after being released from prison and assisting patients to combat substance abuse. Obama touted the program's 'good work' and noted that, "It's a model for the good work being done sporadically around the country."



## Kyle Harness

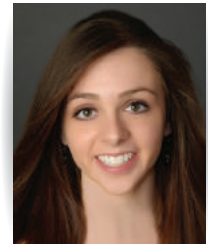
AAS '07, BSAST '09

Kyle Harness was named radiation safety officer at the United States Air Force School of Aerospace Medicine in September 2015.

## Naomi Hergot

BA '14

Naomi Hergot was named an apprentice to the Kansas City Ballet in Kansas City, Mo. As an apprentice, Hergot performs with the company under the guidance of the artistic leadership as a means of beginning her professional experience. Hergot started dancing at the age of 3 in Augusta, Ga. and has since traveled the country dancing for various companies across the nation.



## Alex Cooper

AAS '12, BA '12

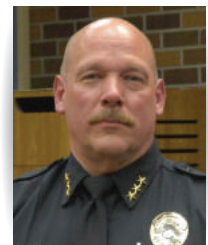
Alex Cooper was nominated for a 2015 Upper Midwest Regional Emmy in the Director - APC (Automation) category for his work with FOX 9 KMSP-TV in Eden Prairie, Minn.



## William Krause Jr.

BA '01

William Krause, Jr., a 25-year veteran of the East Brunswick, N.J., Police Department, was sworn in as the chief of police in October 2015. Krause has served in the patrol division, as a patrolman and sergeant, and in the investigative division as a sergeant. He was later promoted to lieutenant and took command of the department's Office of Professional Standards. In 2010, he was promoted to captain and was assigned to the investigative/administrative division. Krause is a graduate of the Federal Bureau of Investigation's National Academy, 237th session.



## William Craig Jr.

BSHS '08

William Craig Jr. was sworn in as the new chief of police in Jefferson, N.J., in September. Craig was hired by the Jefferson Police Department in 1989 and has since risen through the ranks, holding numerous positions of increasing responsibility. Craig replaces outgoing Chief of Police Kevin Craig, his brother, who served in the capacity for seven years.



## ❖ Jason Manion

BSBA '10

Jason Manion began law school at The Ohio State University in August 2014. After completing his first year and ranking first in his class, he transferred to Harvard Law School where he intends to graduate in 2017.

## ❖ Martin Manno

BSN '88

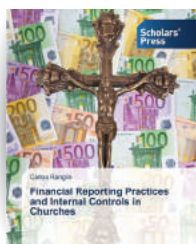
Martin Manno was promoted to assistant vice president of Clinical Education and Professional Development at Kennedy Health. Manno works with Kennedy to help serve the Southern New Jersey community through three hospitals located in Cherry Hill, Stratford and Washington Township. Manno, who previously held the title of corporate director of Clinical Education and Professional Development - joined Kennedy in April 2010 and worked diligently to promote clinical excellence in nursing.



## ❖ Dr. Carlos Ranglin

MSM '09

Dr. Carlos Ranglin has published a new book, *Financial Reporting Practices and Internal Controls in Churches*. The book is available in major book stores and online.



## ❖ Anthony Tulino

BSBA '09

Anthony Tulino is working toward his master's degree and has restarted his company, Tulino Clothiers, which specializes in custom clothing.

## ❖ Troy Vincent

BA '07

Troy Vincent has been named one of *EBONY* magazine's 2015 Power 100 honorees. Vincent serves as executive vice president of Football Operations with the National Football League (NFL).



## ❖ Rev. Dr. Marlene

### Louise Walters

AA '74, BA '78

Rev. Dr. Marlene Louise Walters has published her new book, *Through Stained Glass*. The book encompasses a five-year journey guiding a diverse population who were confronted with many different life challenges.

## ❖ Ernest Wooden Jr.

BSBA '06, MSM '07

Ernest Wooden Jr. has been named one of *EBONY* magazine's 2015 Power 100 honorees. The magazine recognizes those who lead, inspire and demonstrate the very best in Black America. He serves as president and CEO of the Los Angeles Tourism and Convention Board.



## ❖ Cheryl Zanone

MAEdL '12

Cheryl Zanone was named as Morris County New Jersey's Teacher of the Year for 2015-2016 by the Christie Administration. Zanone, who teaches science at Robert R. Lazar Middle School, is the first teacher from the Montville Township Public School District to receive this award. She has been teaching in the district since 2002.



## Keep us posted!

Send your news to [invention@tesc.edu](mailto:invention@tesc.edu)

BE SURE TO INCLUDE YOUR FIRST AND LAST NAME,  
YOUR ADDRESS, YOUR PREFERRED PHONE, THE YEAR YOU  
GRADUATED AND WHAT DEGREE YOU EARNED.

Updates can also be sent to:

INVENTION EDITOR  
THOMAS EDISON STATE UNIVERSITY  
111 W. STATE ST.  
TRENTON, NJ 08608-1176

[www.tesu.edu/blog](http://www.tesu.edu/blog)

READ OUR BLOG TO KEEP UP TO DATE AND INFORMED  
ON THE UNIVERSITY'S LATEST NEWS AND EVENTS.

[www.tesu.edu/getconnected](http://www.tesu.edu/getconnected)

VISIT OUR SOCIAL NETWORK SITES TO FOLLOW,  
FRIEND OR BECOME A FAN.



111 W. State St.  
Trenton, NJ 08608-1176

Address Service Requested

NON-PROFIT ORG.  
US POSTAGE  
PAID  
TRENTON, NJ  
PERMIT #112

## Thomas Edison State University

# 50,000 GRADUATES

**We have reached a milestone, more than 50,000 alumni!**  
That's 50,000 engineers, nurses, entrepreneurs and successful professionals around the globe.

## Upcoming Alumni and Student Events

January 27	New Jersey Networking Event	<i>Princeton, N.J.</i>
February 16	Texas Networking Event	<i>San Antonio, Tx.</i>
March TBD	California Networking Event	<i>Los Angeles, Ca.</i>
April 6	New Jersey Networking Event	<i>Hoboken, N.J.</i>
May 18	Pennsylvania Networking Event	<i>Philadelphia, Pa.</i>

Thomas Edison State University Foundation

## Giving Day

### 3.16.16

**MAKE YOUR IMPACT COUNT**

For more information about these events or having an event near you,  
contact the Office of Alumni Affairs at (609) 633-8592, [alumni@tesc.edu](mailto:alumni@tesc.edu)  
or visit us online at [www.tesu.edu/alumni](http://www.tesu.edu/alumni).